

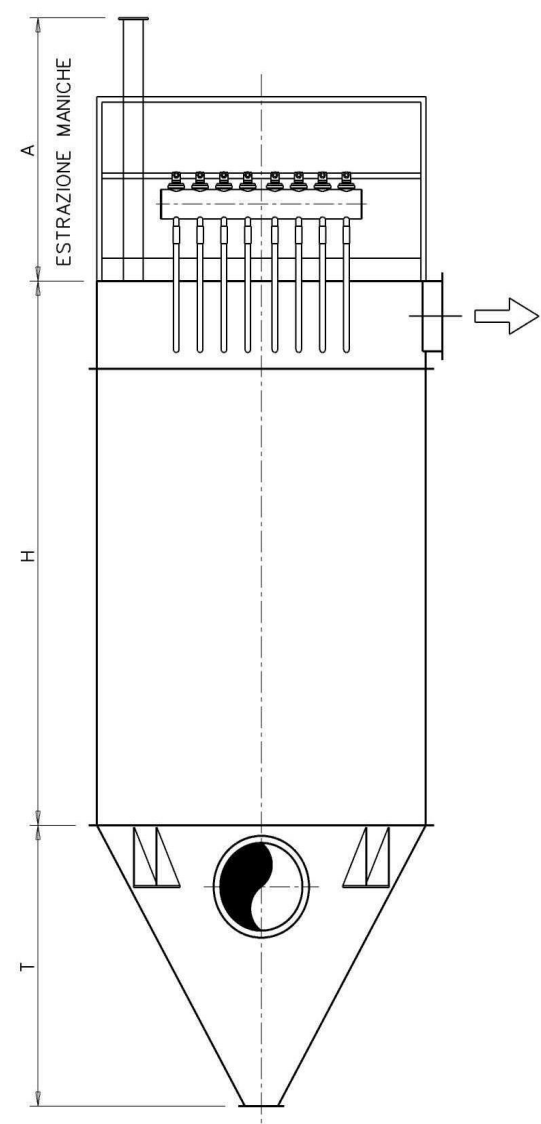
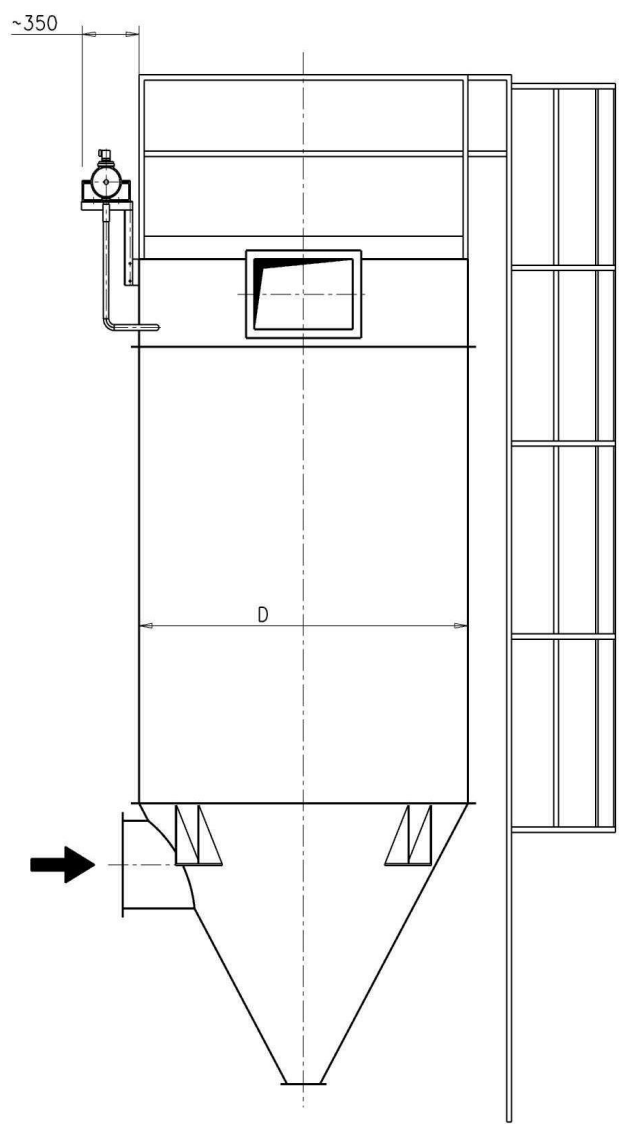
D	H=3000		H=2500		H=2000		H=1500		T
	CT	m ²	CT	m ²	CT	m ²	CT	m ²	
800	14-2	14	14-11-2	11	14-8-2	8	14-5-2	5	550
900	18-2	18	18-14-2	14	18-11-2	11	18-7-2	7	650
950	20-2	20	20-16-2	16	20-12-2	12	20-8-2	8	650
1000	24-3	24	24-19-3	19	24-14-3	14	24-10-3	10	700
1100	30-3	30	30-24-3	24	30-18-3	18	30-12-3	12	750
1200	36-3	36	36-29-3	29	36-21-3	21	36-14-3	14	850
1250	40-4	40	40-32-4	32	40-24-4	24	40-16-4	16	850
1400	50-5	50	50-40-5	40	50-30-5	30	50-20-5	20	1000
1550	60-6	60	60-48-6	48	60-36-6	36	60-24-6	24	1100
1700	70-8	70	70-56-8	56	70-42-8	42	---	-	1250
1850	80-8	80	80-64-8	64	80-48-8	48	---	-	1350
2000	90-9	90	90-72-9	72	90-54-9	54	---	-	1500
2100	100-10	100	100-80-10	80	---	-	---	-	1600
2250	120-10	120	120-96-10	96	---	-	---	-	1700
2300	136-12	136	136-109-12	109	---	-	---	-	1800



**European
Engineering
Ecological**

e4 srl - Via Del Commercio, 14
41042 Fiorano Modenese (MO)

FILTRI SERIE
CT



D	H=3000 A=2100		H=2500 A=1600		H=2000 A=1100		H=1500 A=600		T
	CAT	m ²	CAT	m ²	CAT	m ²	CAT	m ²	
800	14-2	14	14-11-2	11	14-8-2	8	14-5-2	5	550
900	18-2	18	18-14-2	14	18-11-2	11	18-7-2	7	650
950	20-2	20	20-16-2	16	20-12-2	12	20-8-2	8	650
1000	24-3	24	24-19-3	19	24-14-3	14	24-10-3	10	700
1100	30-3	30	30-24-3	24	30-18-3	18	30-12-3	12	750
1200	36-3	36	36-29-3	29	36-21-3	21	36-14-3	14	850
1250	40-4	40	40-32-4	32	40-24-4	24	40-16-4	16	850
1400	50-5	50	50-40-5	40	50-30-5	30	50-20-5	20	1000
1550	60-6	60	60-48-6	48	60-36-6	36	60-24-6	24	1100
1700	70-8	70	70-56-8	56	70-42-8	42	---	-	1250
1850	80-8	80	80-64-8	64	80-48-8	48	---	-	1350
2000	90-9	90	90-72-9	72	90-54-9	54	---	-	1500
2100	100-10	100	00-80-10	80	---	-	---	-	1600
2250	120-10	120	20-96-10	96	---	-	---	-	1700
2300	136-12	136	36-109-12	109	---	-	---	-	1800



**European
Engineering
Ecological**

e4 srl - Via Del Commercio, 14
41049 Fiorano Modenese (MO)

FILTRI SERIE
CAT